

DWG. NO. SD-53408-007

E

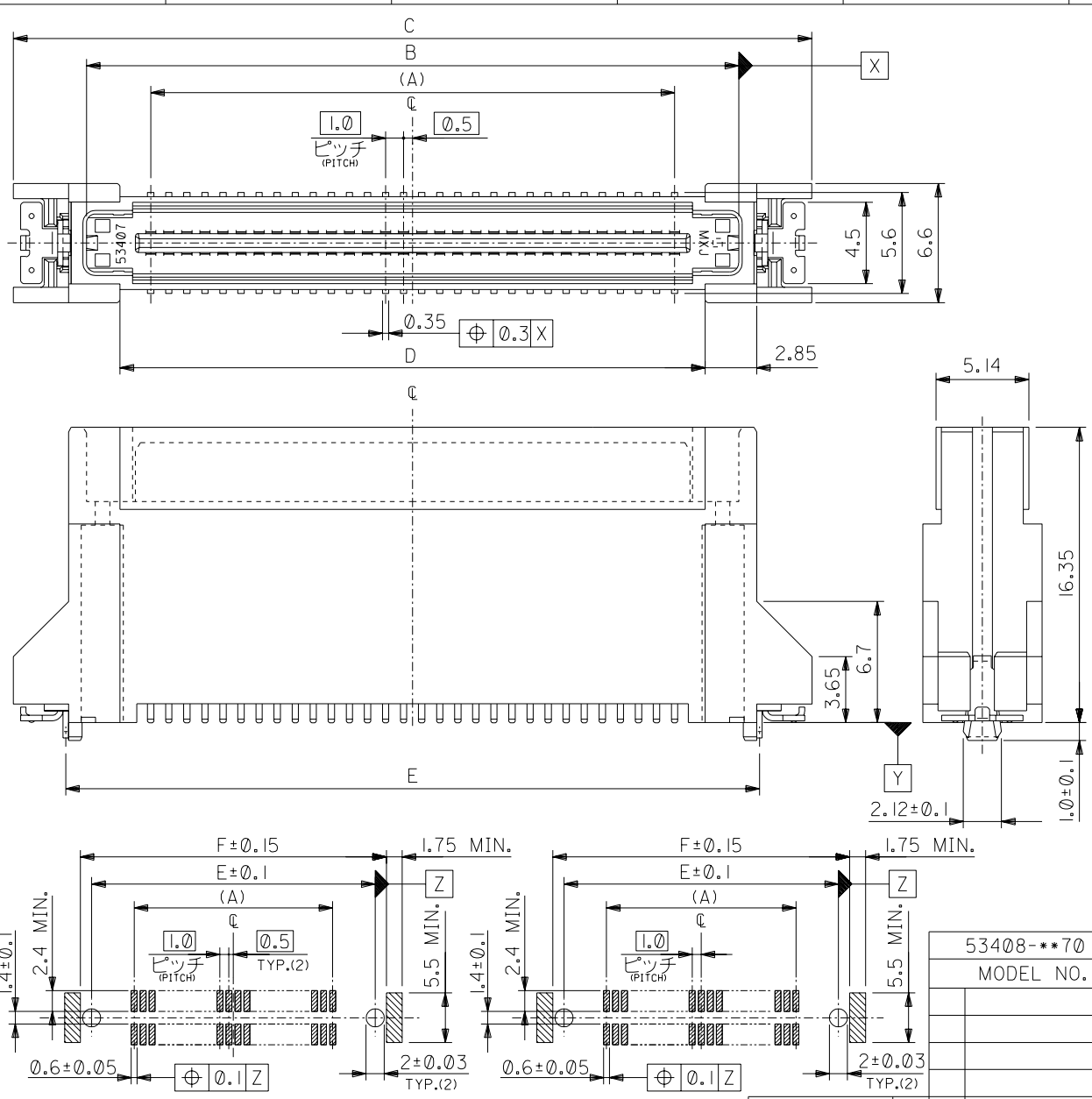
D

C

B

A

DIMENSIONS IN METRIC DO NOT SCALE DRAWING



推奨基板寸法 (20,24,60,80,100,120,140極)
RECOMMENDED PCB PATTERN LAYOUT (20,24,60,80,100,120,140CKTS.)

推奨基板寸法 (50極)
RECOMMENDED PCB PATTERN LAYOUT (50 CKTS.)

8. 本製品は 53408-***0 の鉛フリー品である。
THIS PRODUCT IS LEAD FREE OF 53408-***0

| | |
|-------------------------|-------|
| 角度 ANGLE | ±3° |
| 30 以上 OVER | +0.3 |
| 10 以上 30 未満 UNDER | +0.25 |
| 未満 10 UNDER | +0.2 |
| 一般公差 GENERAL TOLERANCES | |

| | | | | | | |
|-----------------|-----------|-------------|----------|---|---|--------------|
| 53408-***70 | | | | | | |
| MODEL NO. | F | E | D | C | B | (A) |
| MATERIAL | SEE NOTES | | | | | MATERIAL NO. |
| FINISH | SEE NOTES | | | | | NO.OF CKTS. |
| WIRE RANGE | —#— | | | | | |
| INS. RANGE | —#— | | | | | |
| DRAWN BY | 04/03/11 | CHK'D BY | 04/03/11 | | | |
| APP'D BY | 04/03/11 | DR. M.SASAO | DATE | | | |
| REVISION RECORD | | | | | | |
| DATE | | | | | | |
| SCALE | —#— | | | | | |

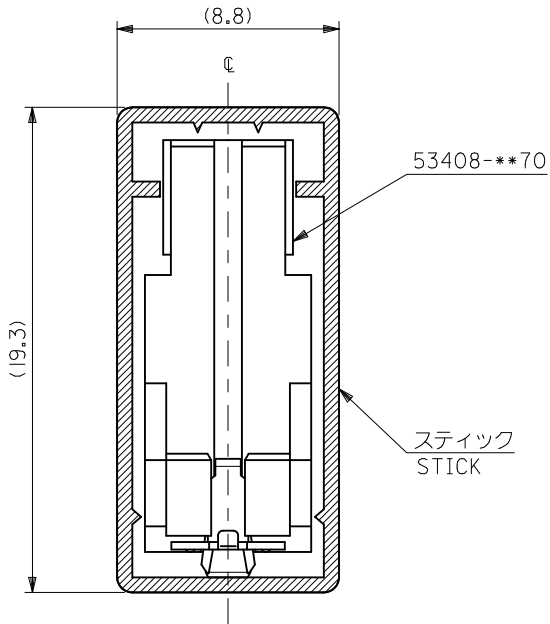
- 注) NOTES
- 材質 MATERIAL
ハウジング: ガラス入り LCP、白色、UL94V-0
HOUSING: F.LCP, WHITE, UL94V-0
ターミナル: 燐青銅 (t=0.2)
TERMINAL: PHOSPHOR BRONZE
金属ペグ: 燐青銅
METAL PEG: PHOSPHOR BRONZE
 - メッキ仕様 PLATING
ターミナル 接点部: 金メッキ 0.25 MICROMETER MIN.
TERMINAL CONTACT AREA: GOLD 0.25 MICROMETER MIN.
半田付け部: 錫メッキ 1.0 MICROMETER MIN.
SOLDER TAIL AREA: TIN 1.0 MICROMETER MIN.
下地メッキ: ニッケルメッキ 2.0 MICROMETER MIN.
UNDER-PLATING: NICKEL 2.0 MICROMETER MIN.
金属ペグ 半田付け部: 錫メッキ 1.0 MICROMETER MIN.
METAL PEG SOLDER TAIL AREA: TIN 1.0 MICROMETER MIN.
下地メッキ: ニッケルメッキ 1.0 MICROMETER MIN.
UNDER-PLATING: NICKEL 1.0 MICROMETER MIN.
 - 推奨基板厚 RECOMMENDED PCB THICKNESS
1.0±0.1mm
 - テールのバラツキ寸法 TAIL COPLANARITY
テールは、Y面を基準とし、上へ 0.02 下へ 0.15 の範囲に
めし、且つテール平坦度は 0.15 とする。
TAILS TO BE WITHIN 0.02 UPWARD AND 0.15 DOWNWARD FROM Y-DATUM PLANE,
AND TAIL COPLANARITY TO BE 0.15.
 - ロックは、20、24、50極に設置する。
LOCK TO BE ADDED TO 20,24 AND 50 CKTS.
 - 梱包 PACKAGING
本製品はスティック梱包とし、梱包後の MATERIAL NO. は
53408-***79 とする。
THIS PRODUCTS TO BE PACKED IN TUBE. MATERIAL NO.: 53408-***79
 - 同一基板内に複数個 (2個以上) の使用は避けてください。
MXJ DOES NOT RECOMMEND THE USAGE OF TWO OR MORE OF THESE CONNECTORS
BETWEEN A SINGLE PAIR OF P.C.B.OARD.

| | | | | | | | |
|------|------|------|------|-------|----|------------|-----|
| 80.9 | 78.4 | 72.4 | 84.2 | 76.02 | 69 | 53408-1470 | 140 |
| 70.9 | 68.4 | 62.4 | 74.2 | 66.02 | 59 | 53408-1270 | 120 |
| 60.9 | 58.4 | 52.4 | 64.2 | 56.02 | 49 | 53408-1070 | 100 |
| 50.9 | 48.4 | 42.4 | 54.2 | 46.02 | 39 | 53408-0870 | 80 |
| 40.9 | 38.4 | 32.4 | 44.2 | 36.02 | 29 | 53408-0670 | 60 |
| 35.9 | 33.4 | 27.4 | 39.2 | 31.02 | 24 | 53408-0570 | 50 |
| 22.9 | 20.4 | 14.4 | 26.2 | 18.02 | 11 | 53408-2470 | 24 |
| 20.9 | 18.4 | 12.4 | 24.2 | 16.02 | 9 | 53408-0270 | 20 |

| | | | | | | |
|-----------------|-----------|-------------|----------|---|---|--------------|
| 53408-***70 | | | | | | |
| MODEL NO. | F | E | D | C | B | (A) |
| MATERIAL | SEE NOTES | | | | | MATERIAL NO. |
| FINISH | SEE NOTES | | | | | NO.OF CKTS. |
| WIRE RANGE | —#— | | | | | |
| INS. RANGE | —#— | | | | | |
| DRAWN BY | 04/03/11 | CHK'D BY | 04/03/11 | | | |
| APP'D BY | 04/03/11 | DR. M.SASAO | DATE | | | |
| REVISION RECORD | | | | | | |
| DATE | | | | | | |
| SCALE | —#— | | | | | |

THIS DRAWING CONTAINS INFORMATION THAT IS PROPRIETARY TO MOLEX(JAPAN) AND SHOULD NOT BE USED WITHOUT WRITTEN PERMISSION
本図面は日本モレックス(株)の所有する情報を含むもので、当社の許可なく複製を禁止する。 EN-01C(032)MXJ-32

SD-53408-007.S01



注記
NOTES

1. スティック両端はキャップ止め。
BOTH ENDS WITH CAPS.
2. 全 長 : 600±2
TOTAL LENGTH
3. 肉 厚 : 0.6±0.2
THICKNESS
4. 本製品は 53408-***9 の鉛フリー品である。
THIS PRODUCT IS LEAD FREE OF 53408-***9.

| | | |
|----|------------|-----|
| 6 | 53408-1479 | 140 |
| 7 | 53408-1279 | 120 |
| 8 | 53408-1079 | 100 |
| 10 | 53408-0879 | 80 |
| 13 | 53408-0679 | 60 |
| 14 | 53408-0579 | 50 |
| 21 | 53408-2479 | 24 |

MATERIAL

スティック : ポリ塩化ビニル
STICK : P.V.C.

| | | | | | | | | | |
|--|-------------|--|-----------------------|----------------------------|-----------|------------------------------|---|------------------------|--|
| REVISED EC NO: J2010-1426 DRWRTS:RUOKA 2010/01/25 CHKD:THARUYAMA 2010/01/27 APPR:HIRATA 2010/01/27 | DESCRIPTION | GENERAL TOLERANCES (UNLESS SPECIFIED) | | 53408-**79 | MODEL NO. | 梱包数 QUANTITY | MATERIAL No. | 種数 NO. OF CKTS. | |
| | | 10 UNDER ±--- | 10 OVER 30 UNDER ±--- | DIMENSION STYLE MM ONLY | | SCALE --- | DESIGN UNITS METRIC | THIRD ANGLE PROJECTION | |
| | | 30 OVER ±--- | ANGULAR ±---° | DRAWN BY MNINOMIYA | | DATE '04/03/11 | TITLE 53408-**70 STICK PACKAGING -LEAD FREE- | | |
| | | DRAFT WHERE APPLICABLE MUST REMAIN WITHIN DIMENSIONS | | CHECKED BY KTOJO | | DATE '04/03/11 | APPROVED BY MSASAO | | |
| A | REV | SIZE A3 | | SEE TABLE | | DOCUMENT NO. SD-53408-008 | | SHEET NO. 1 OF 1 | |